

How Zap-Lok® works

Zap-Lok® is a patented pipe connection system developed by NOV Tuboscope that does entirely without welding.

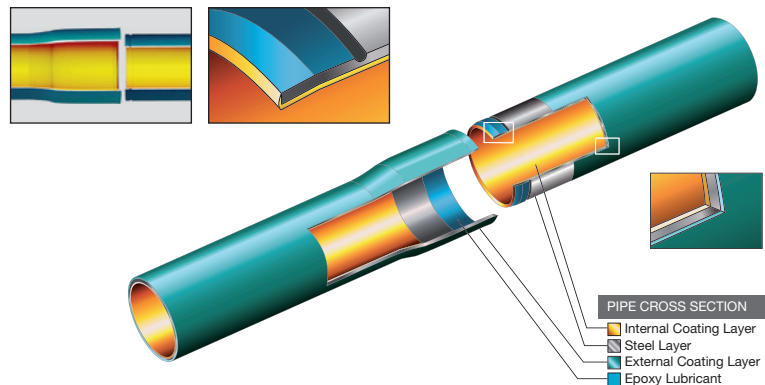
The connection is effected by pressfitting and is suitable for all types of line pipe (gas sour/non-sour, oil, water), including offshore and high-pressure projects. Zap-Lok® is capable of connecting pipes in outside diameters of 60.3 to 323.9 mm (2 3/8" to 12 3/4").

On the machines developed by NOV Tuboscope, one pipe end is given a bell shape, and the other a pin shape. During pipe-laying, special equipment is used to push the pin end into a bell end and press them together to a tight fit.

Since welding and X-raying can be dispensed with, the laying of Zap-Lok® pipes is extremely fast and cost-effective. Given the simplicity of the process, up to 300 pipes can be laid per day.

The system has been successfully used for some 30 years in many countries.

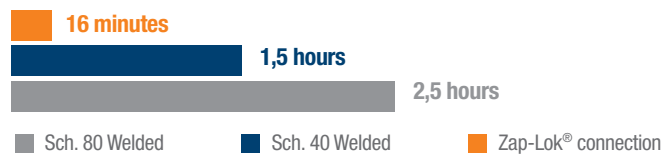
Connection and coating



TK linings and the Zap-Lok® connections ensure seamless corrosion protection along the pipeline as well as increased flow rates and minimum surface deposits.

Art design and information: NOV Tuboscope

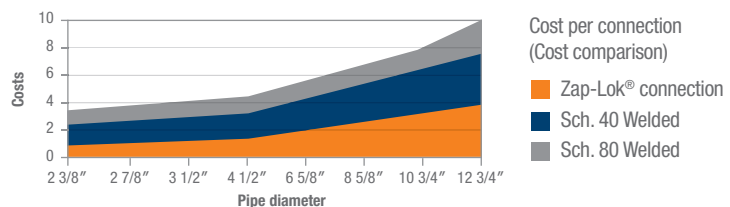
Time savings



The Zap-Lok® system accelerates pipe-laying operations significantly. Zap-Lok® only takes a fraction of the time needed for a welded joint. Besides welding, X-raying and deburring of the welds are also rendered superfluous.

Art design and information: NOV Tuboscope

Cost savings



A major item in pipeline construction is skilled man hours. The Zap-Lok® system permits savings here of up to 90%: instead of qualified welders, all that is needed is a small team of workers and a hydraulic Zap-Lok® press.

Art design and information: NOV Tuboscope